

CLIN 600 SURF OP



Square surface mounted cleanroom luminaire. Diffusor-opal acrylic and clear tempered glass. Top quality SMD LED modules with colour consistency MacAdams 3, extensive portfolio of lumen ranges, CCTs and spectra. Variety of drivers: standard EVG on/off, DALI, TW DT8 on request. Mounting on any type of ceiling. Body is made of aluminium and steel. Standard colour RAL 9003M antibacterial paint, other colours on request. Variety of lumen outputs and drivers allows to use this luminaire in different types of lighting projects.

Luminous flux & Luminaire Power tolerance up to 10%. System power consumption depends on components used. Luminous efficacy depends on type of LED's, electronics, optics and diffusor. The most up to date technical parameters can be found on our website and in database of LDT files.

Lighting direction



PDF datasheet:

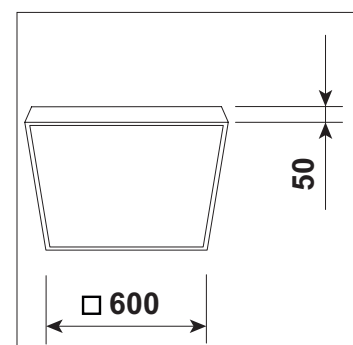


CLIN 600 SURF OP

Mounting:	Surface mounting
Body material:	Steel and aluminium
Colour:	Standard white RAL 9003, other RAL colours on request
Lumen output:	Standard up to 5000 lm, any other on request
LED module:	Signify (Philips), Tridonic or equivalent SMD LED modules
Colour temperature:	3000/4000K/2700-6500K TunableWhite, other on request
Colour Rendering:	CRI>80 in standard, other on request
Driver:	EVG on-off/DALI/TW DT8, other on request
Wireless control:	On request
Daylight/Occupancy sensor:	On request
Emergency unit:	On request
Operating temperature range:	0°C ... +35°C
IP Class:	IP65 in standard
Power:	220-240V 50/60Hz
Lighting direction:	Direct lighting
Light distribution:	Symmetric
Optics:	White reflector
Beam angle:	All types available in our LDT file database
Diffuser:	Clear glass with opal acrylic
Warranty:	5 Years standard warranty

CLIN 600 SURF OP surface mounted luminaire

All current index numbers, lumen outputs, power consumption and many other technical information are available in our 2024 pricelist.



Basic dimensions

CLIN 600 SURF OP



Available versions

CLIN 600 SURF OP

Product code	Product name	Gross Lumen [lm]	Nett Lumen [lm]	Power [W]	Efficacy [lm/W]	Colour temperature [K]	Lifetime L/B	Diffuser	Length [mm]	Width [mm]	Height [mm]
Surface mounted luminaire with opatic glass diffuser											
12.00160.83.E.OP.CG	CLIN 600 SURF OP / 5000lm / 830 / E / OP / CG	5000	4250	30	142	3000	70.000/L80B10	OP/CG	600	600	75
12.00160.84.E.OP.CG	CLIN 600 SURF OP / 5000lm / 840 / E / OP / CG	5000	4250	30	142	4000	70.000/L80B10	OP/CG	600	600	75